

PS011A SERIES

LED PUSH BUTTON SWITCH



Feature -

- noiseless
- bi-color LED illuminated available
- long life cycles
- SPST, momentary function

Application -

- audio / video products
- instrumentation
- communication equipments

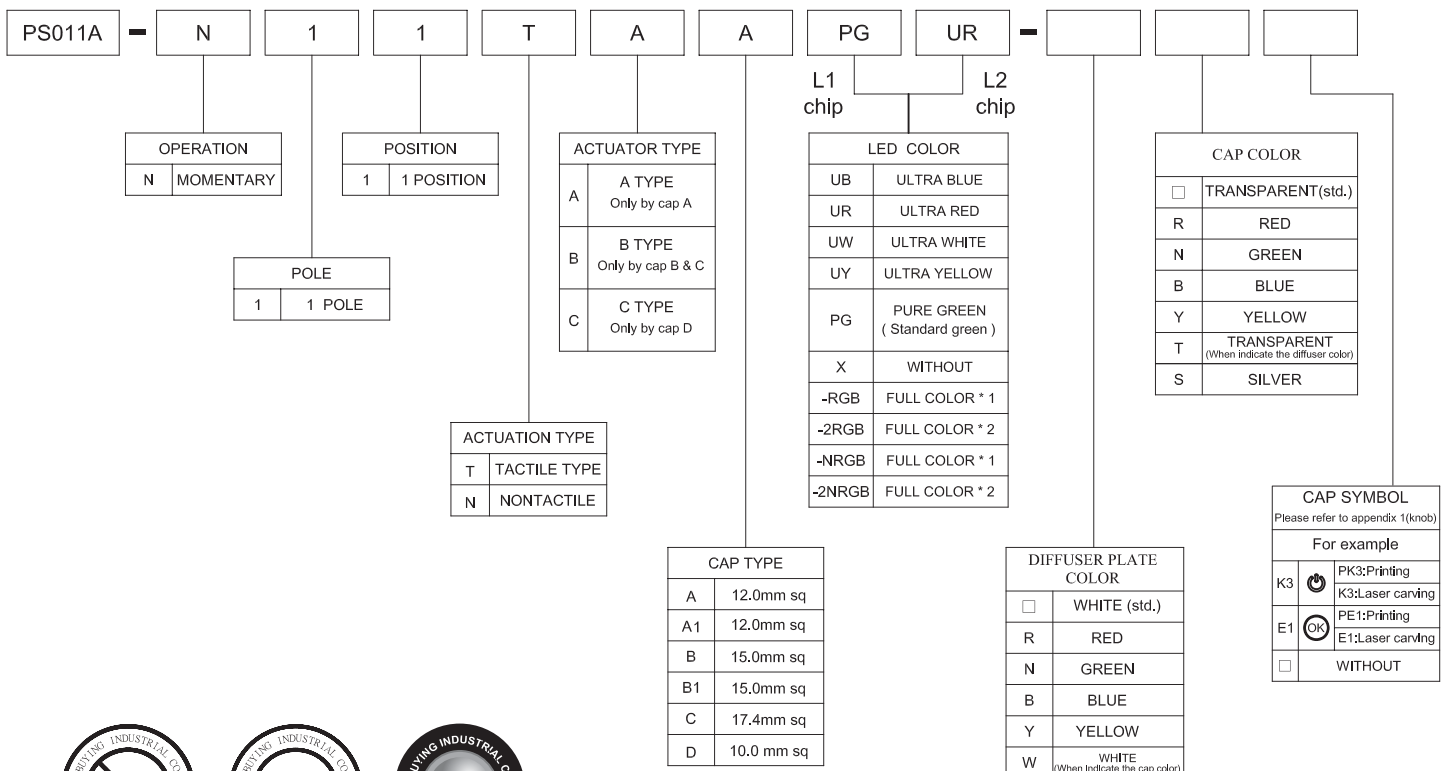
► SPECIFICATIONS

SWITCH SPECIFICATIONS	
POLE - POSITION	OFF - <ON> for Momentary Type , SPST
CONTACT RATING	100 mA 12V DC
CONTACT RESISTANCE	200 mΩ MAX.
INSULATION RESISTANCE	100 MΩ MIN. 500 V DC
DIELECTRIC STRENGTH	Breakdown is not Allowable ; 500 V AC for 1 Minute
OPERATING FORCE	250 ± 100 gf
OPERATING LIFE	1,000,000 cycles
OPERATING TEMPERATURE RANGE	-20°C ~ 70°C
TOTAL TRAVEL	4.5 ± 0.2 mm

LED SPECIFICATIONS						
ATTENTION	LEDs are Electrostatic Sensitive devices	Unit	Value / LED Color			
			Ultra Blue	Pure Green	Ultra Red	
FORWARD CURRENT	If	mA	20	20	20	
REVERSE VOLTAGE	Vr	V	5.0	5.0	5.0	
REVERSE CURRENT	Ir	μA	10	10	10	
FORWARD VOLTAGE@20mA	Vf	V	2.7-3.7	2.7-3.2	1.7-2.2	
LUMINOUS INTENSITY@20mA	Iv	mcd	25~80	90~225	57~140	

■ Physical and electrical information of LED will be provided upon customer's request on switches .

► HOW TO ORDER

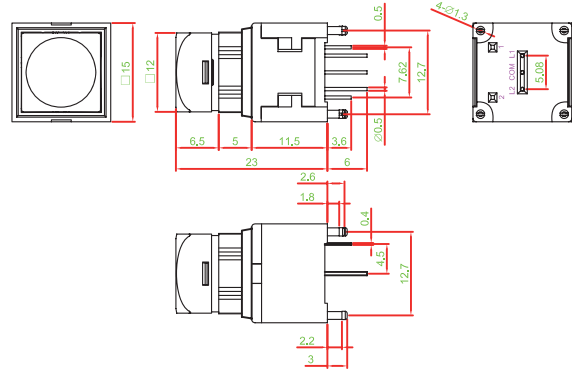


PS011A SERIES

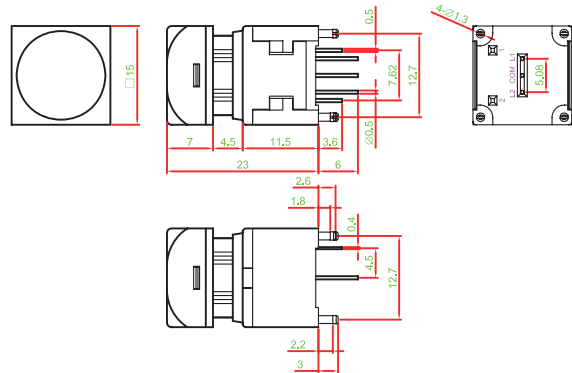
LED PUSH BUTTON SWITCH

► DIMENSION & FRAME TYPE

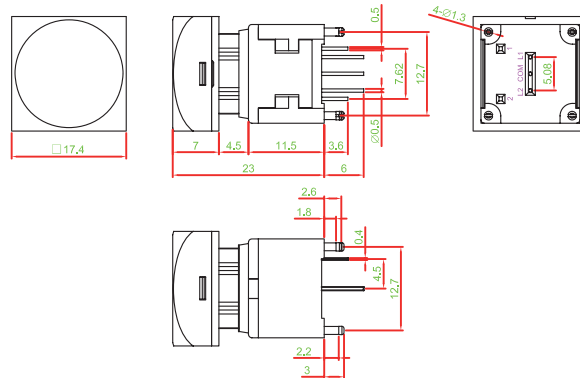
PS011A-N11TAA



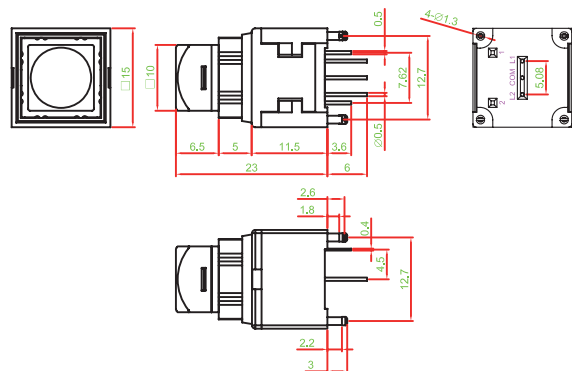
PS011A-N11TBB



PS011A-N11TBC

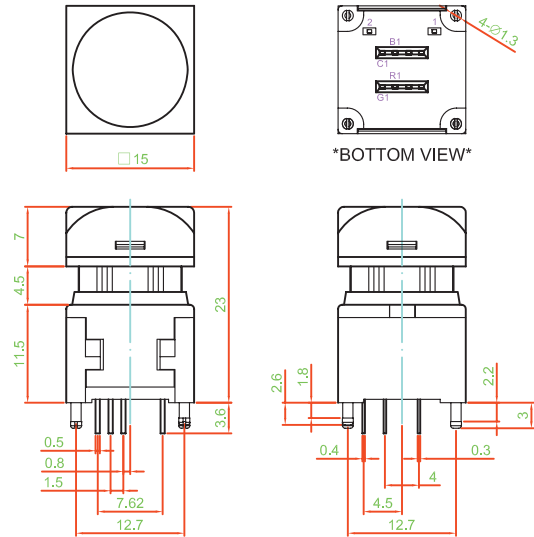


PS011A-N11TCD

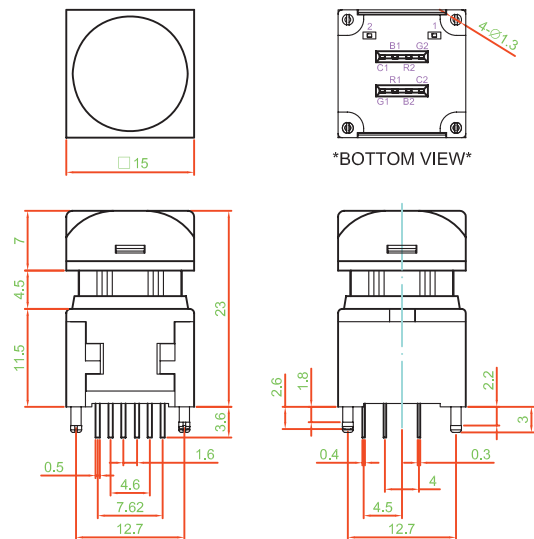


► DIMENSION & FRAME TYPE

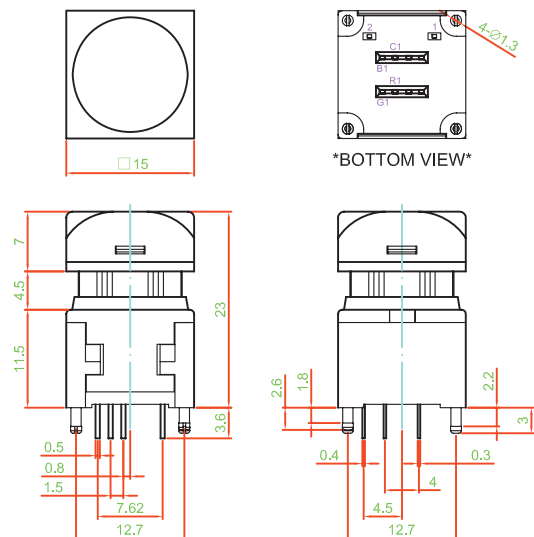
PS011A-N11TBB-NR₂GB



PS011A-N11TBB-2NR₂GB



PS011A-N11TBB-RGB

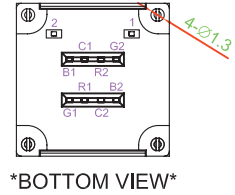
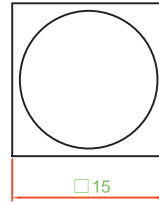


PS011A SERIES

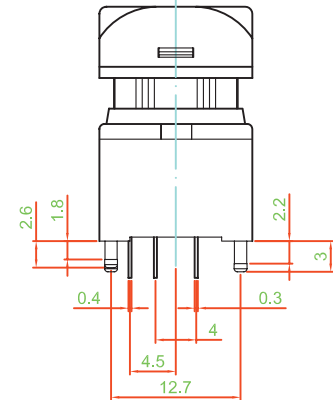
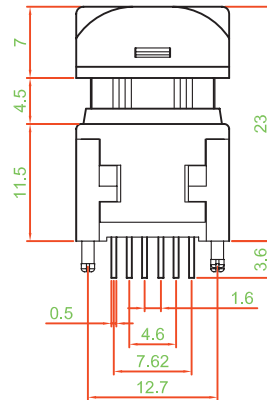
LED PUSH BUTTON SWITCH

DIMENSION & FRAME TYPE

PS011A-N11TBB-2RGB



BOTTOM VIEW



KNOB OPTION

A1 TYPE

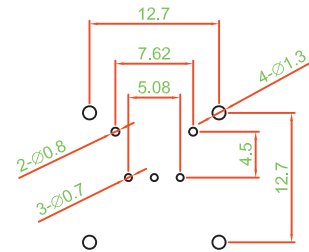


B1 TYPE

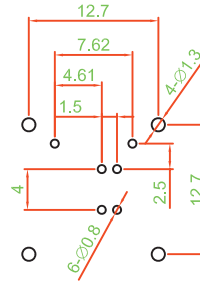


P.C.B LAYOUT

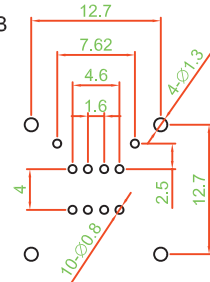
Single color
or two color



RGB

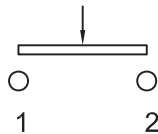


2RGB

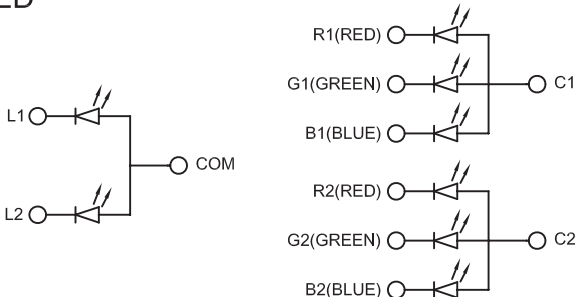


SCHEMATIC

SWITCH



LED



MATERIAL

- COVER : PC
 - ACTUATOR : POM
 - BASE FRAME : PA + GF
 - TERMINAL : BRASS SILVER PLATING
 - MOVING CONTACT : PHOSPHOR BRONZE
- GOLD PLATING

